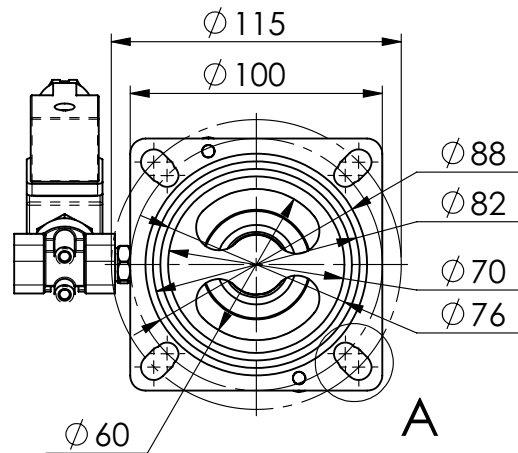
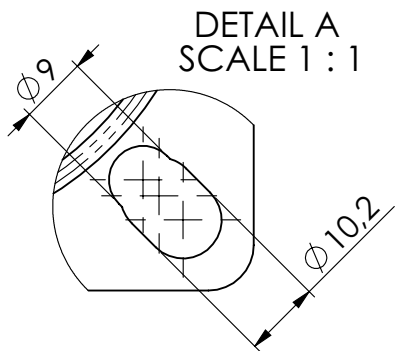
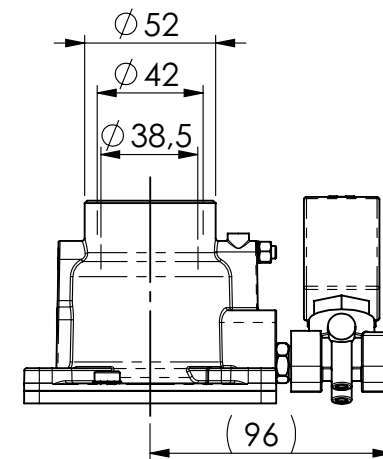
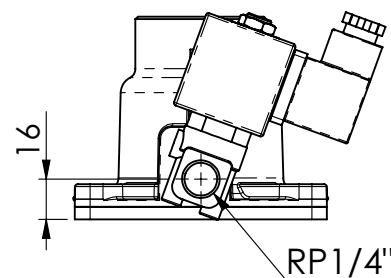
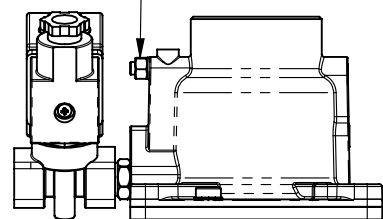
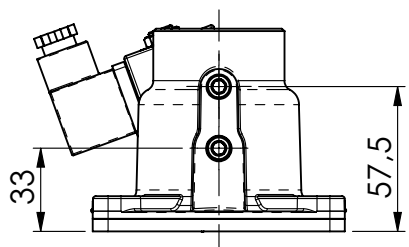


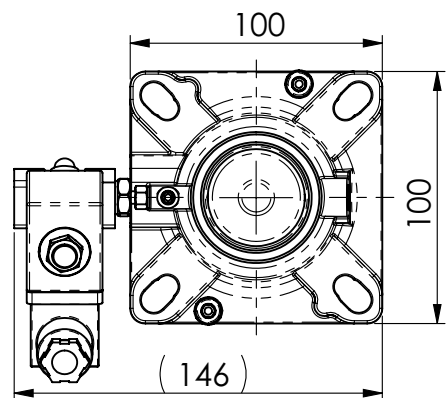
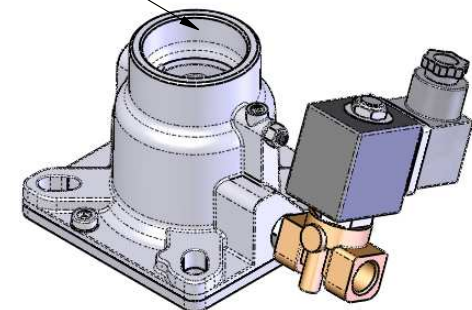
# REGOLATORE ASPIRAZIONE RH38E INTAKE VALVE RH38E



Vite Reg. Scarico  
 Discharge control screw

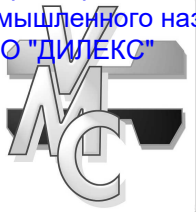


Internal diameter Ø42 mm

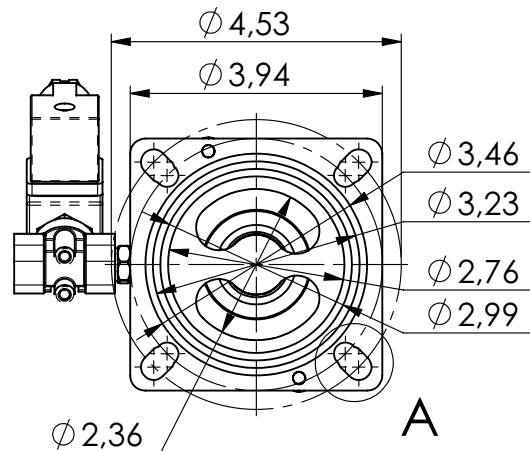
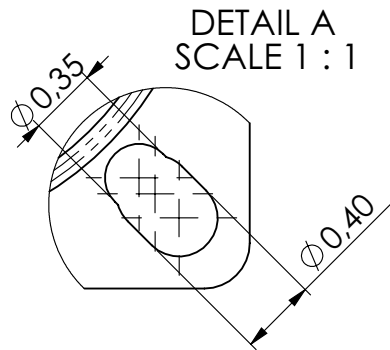


**S.I. sistema internazionale**  
 Le quote mostrate sono in mm  
 The showed dimensions are in mm

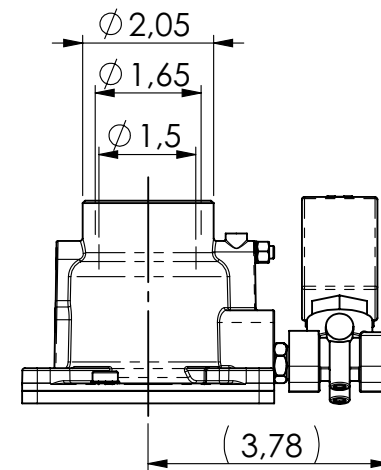
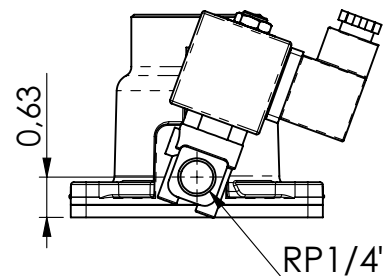
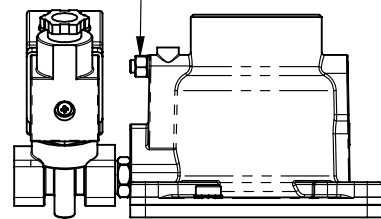
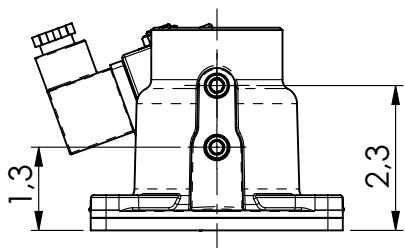
TIPO TYPE	PQ	REVISIONE REVISION	00	DATA DATE	01/09	ARTICOLO ARTICLE	600	.52	MODELLO MODEL	Y0
--------------	----	-----------------------	----	--------------	-------	---------------------	-----	-----	------------------	----



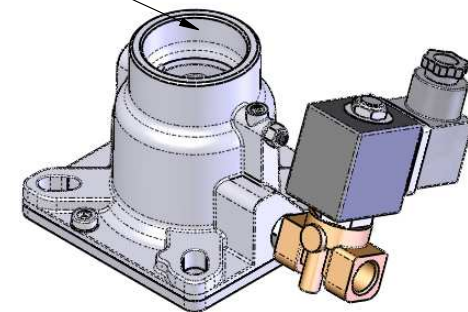
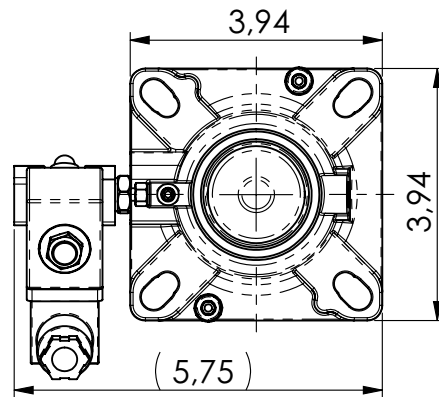
# REGOLATORE ASPIRAZIONE RH38E INTAKE VALVE RH38E



Vite Reg. Scarico  
 Discharge control screw



Internal diameter  $\varnothing 1,65$  mm



## U.S. units system

The showed dimensions are in INCH  
 Le quote mostrate sono in POLLICI

TIPO TYPE	PQ	REVISIONE REVISION	00	DATA DATE	01/09	600	ARTICOLO ARTICLE	.52	MODELLO MODEL	Y0
--------------	----	-----------------------	----	--------------	-------	-----	---------------------	-----	------------------	----